



IH2500E (Wall-Mount)

Installation Guide

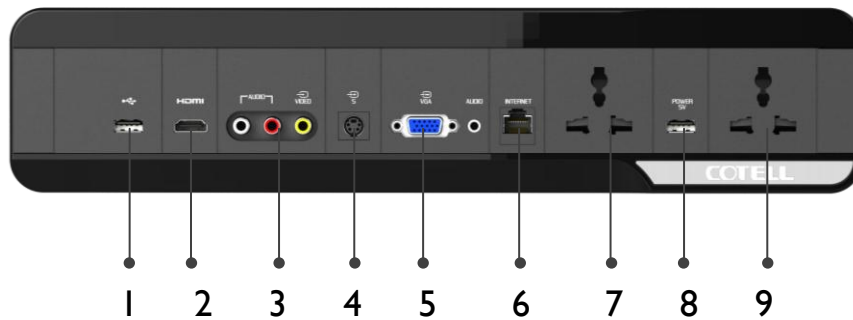
IH2500E-M-WM Infotainment Connectivity Panel Accessories

- VGA cable
- HDMI Cable
- User guide
- Screws
- AV Cable
- Bracket
- Faceplate

IH2500E-M-WM FEATURES

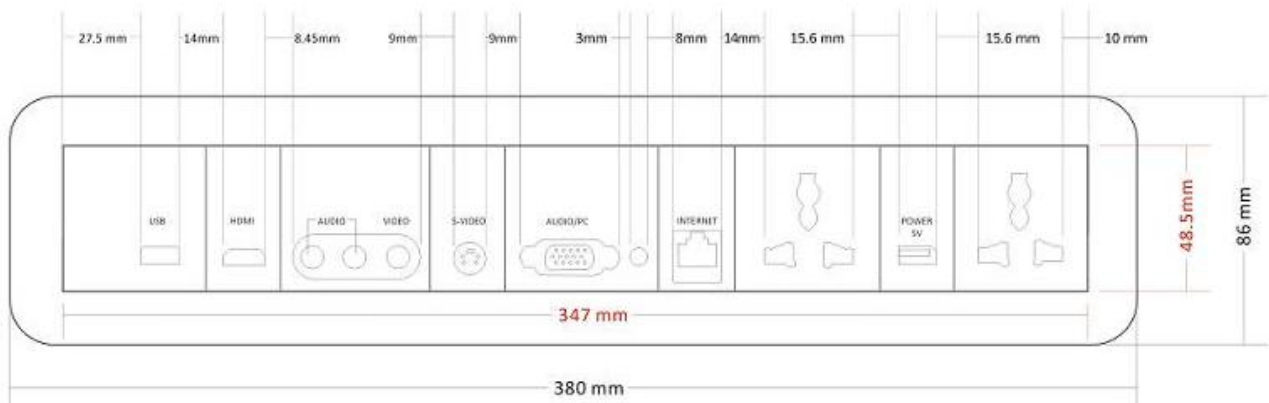
- Wall-mount
- Ergonomic design with stylish outlook
- High quality casing
- Customizable logo
- Dual universal power sockets (110VAC or 220VAC)
- +5V universal charger
- AV + S-interface
- HDMI
- VGA + Audio
- USB
- RJ45

IH2500E-M-WM DIAGRAM

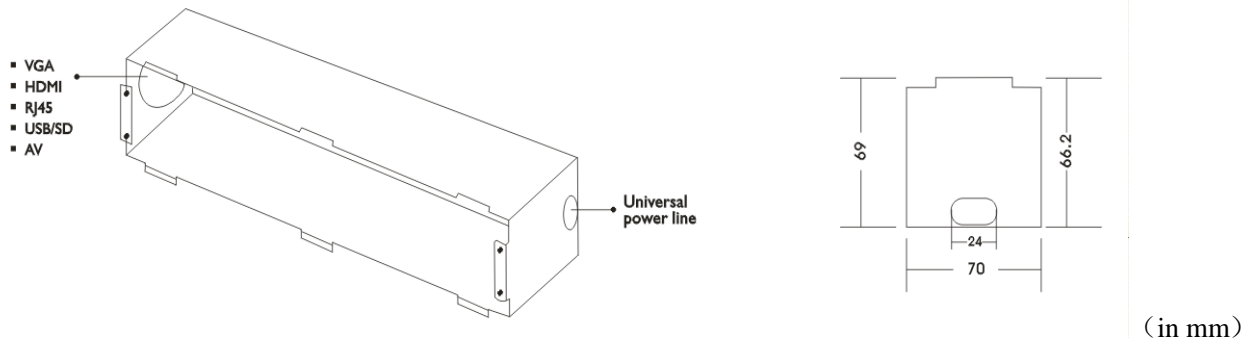


ITEM	FEATURE	DESCRIPTION
1	USB	USB input
2	HDMI	HDMI input
3	Audio & Video	Audio & Video input
4	S-Video	S-Video input
5	VGA+Audio	VGA+Audio input
6	RJ45	Internet connection
7	Universal Power Socket	Universal power supply(110VAV or 220VAC)
8	+5V USB charger	+5V charger
9	Universal Power Socket	Universal power supply(110VAV or 220VAC)

IH2500E-M-WM MEASUREMENT

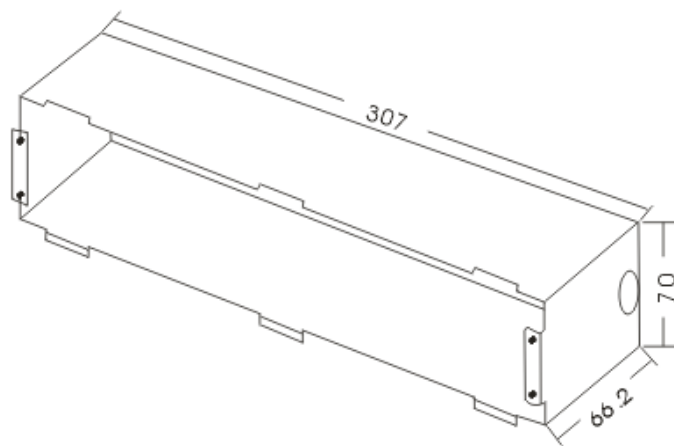


BRACKET DIAGRAM

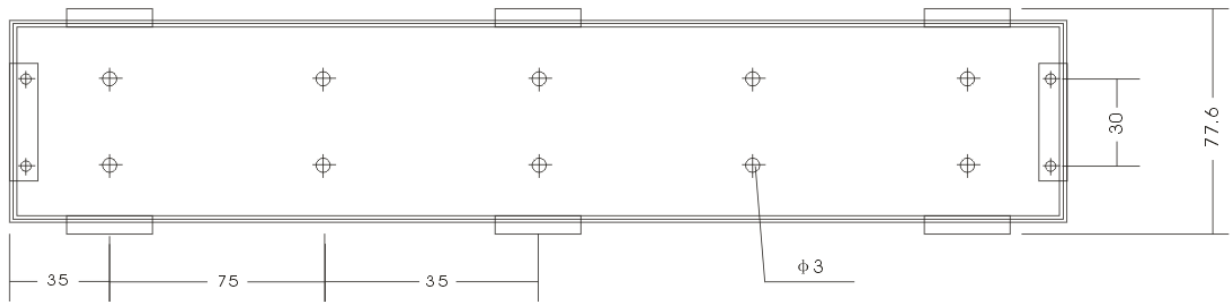


INSTALLATION PROCEDURE

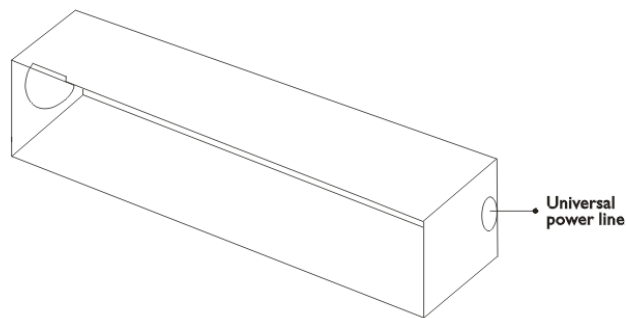
Remove the bracket; Create depression in the wall according to the size of the junction box (in mm).



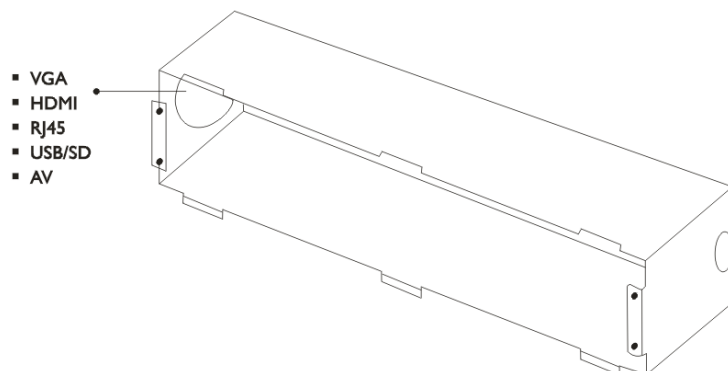
1. Fasten the bottom of the junction box to the wall



2. Place the universal power cord through the junction box



3. Insert all the cables through the Junction box and ensure that they are securely fastened.
Connect the other end of the cables to the relevant connections (Power, Internet & TV outlets)



4. Place the IH2500E-M-WM core into the junction box and fasten the 4 screws provided. Clip in the upper faceplate.



5. Test all function to ensure they are workable.



OPERATION

General

1. Turn the TV to Appropriate HDMI channel using the TV remote control
2. Plug in the device to any of the penal input, the TV will auto select the right channel for the input
3. The TV will recognize the last device plugged-in

Note: Input Selection

The IH2500B Infotainment connectivity panel will not instruct the TV to switch its input port. If the connectivity panel is connected on port "HDMI2", then the user will have to manually select the "HDMI2" input via the TV remote control.

However some Hospitality TV models now have the capacity to automatically "detect" when a live AV feed is connected to a port on the TV, and subsequently these models will automatically sense when the user connects a device to the panel and an active AV connection is fed to the TV from the panel. With such models no manual selection is necessary, however a manual override is still possible.

IMPORTANT SAFETY INSTRUCTIONS

WHEN USING YOUR INFOTAINMENT CONNECTIVITY PANEL, BASIC SAFETY PRECAUTIONS SHOULD ALWAYS BE FOLLOWED TO REDUCE THE RISK OF FIRE, ELECTRIC SHOCK AND INJURY TO PERSONS. INCLUDING THE FOLLOWINGS:

1. READ AND UNDERSTAND ALL INSTRUCTIONS IN THIS MANUAL.
2. FOLLOW ALL WARNINGS AND INSTRUCTIONS MARKED ON THE PRODUCT.
3. DO NOT USE LIQUID CLEANER OR AEROSOL. USE A DAMP CLOTH FOR CLEANING.
4. NEVER FORCEFULLY PUSH OBJECTS OF ANY KIND INTO THIS PRODUCT AS THEY MAY TOUCH DANGEROUS VOLTAGE POINTS OR SHORT OUT PARTS THAT COULD RESULT IN A RISK OF FIRE OR ELECTRIC SHOCK. NEVER SPILL LIQUID OF ANY KIND ON THE PRODUCT.
5. TO REDUCE THE RISK OF ELECTRIC SHOCK DO NOT DISASSEMBLE THIS PRODUCT. CALL QUALIFIED SERVICE MEN WHEN SOME SERVICE OR REPAIR WORK IS REQUIRED. OPENING OR REMOVING COVERS MAY EXPOSE YOU TO DANGEROUS VOLTAGES OR OTHER RISKS. INCORRECT REASSEMBLE CAN CAUSE ELECTRIC SHOCK WHEN THE APPLIANCE IS SUBSEQUENTLY USED.
6. UNPLUG THIS PRODUCT FROM THE WALL OUTLET AND REFER SERVICING TO QUALIFIED SERVICE PERSONNEL UNDER THE FOLLOWING CONDITIONS:
 - WHEN THE POWER SUPPLY CORD OR PLUG IS DAMAGED OR FRAYED
 - LIQUID HAS BEEN SPILLED INTO THE PRODUCT.
7. IF THE PRODUCT DOES NOT OPERATE NORMALLY BY FOLLOWING THE OPERATING INSTRUCTIONS. ADJUST ONLY THOSE CONTROLS THAT ARE COVERED BY THE OPERATING INSTRUCTIONS BECAUSE IMPROPER ADJUSTMENT OF OTHER CONTROLS MAY RESULT IN DAMAGE AND WILL OFTEN REQUIRE EXTENSIVE WORK BY A QUALIFIED TECHNICIAN TO RESTORE THE PRODUCT TO NORMAL OPERATION.
 - IF THE PRODUCT HAS BEEN DROPPED
 - THE PRODUCT EXHIBIT A DISTINCT CHANGE IN PERFORMANCE.
8. AVOID USING A INFOTAINMENT CONNECTIVITY PANEL DURING AN ELECTRICAL STORM. THERE MAY BE A REMOTE RISK OF ELECTRIC SHOCK FROM LIGHTING.

WARRANTY EXCLUSIONS

This warranty does not cover, or may be voided by, the followings:

1. Any damage resulting from abuse or misuse (i.e. liquid spills, abuse, or customer's modification (warranty label broken) on the Infotainment connectivity panel.
2. Any damage caused by failure to follow operating or installation instructions provided with the Infotainment connectivity panel
3. New faceplates or damage to the faceplate or discoloration of the Infotainment connectivity panel.
4. Any damage resulting from improper connection of the Infotainment connectivity panel to other equipment.
5. A Infotainment connectivity panel used in a harsh or corrosive environment.
6. Cords & connectors
7. Force majeure.
8. Damages in transit.
9. Any damage resulting from unauthorized modification or repair of the Infotainment connectivity panel.

COTELL PRODUCT SUPPORT

If you need technical assistance with this product, please contact COTELL INTERNATIONAL LIMITED :

Telephone : 86-755-2583 1520
Fax : 86-755-8885 9899
Email : Sales@cotell.cn

Website : www.cotell.cn

Please contact us should the above operating instructions do not match the actual product.