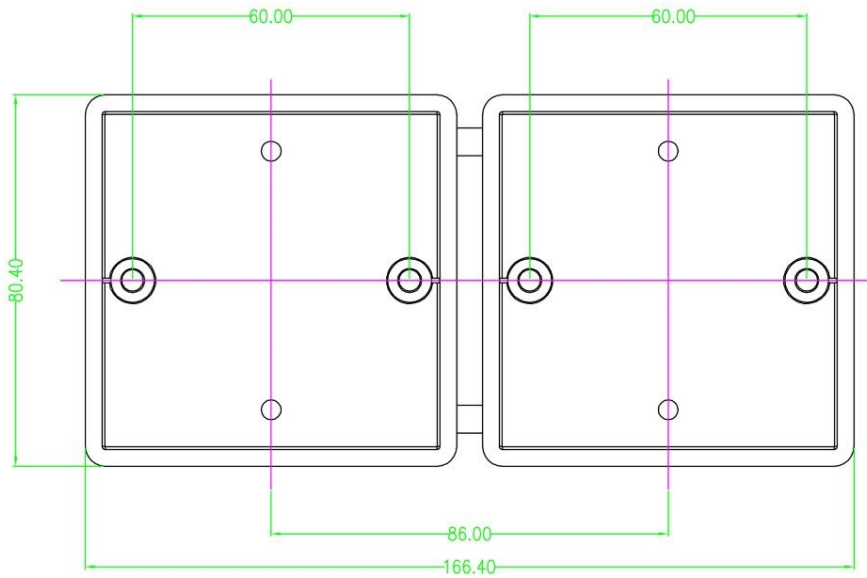


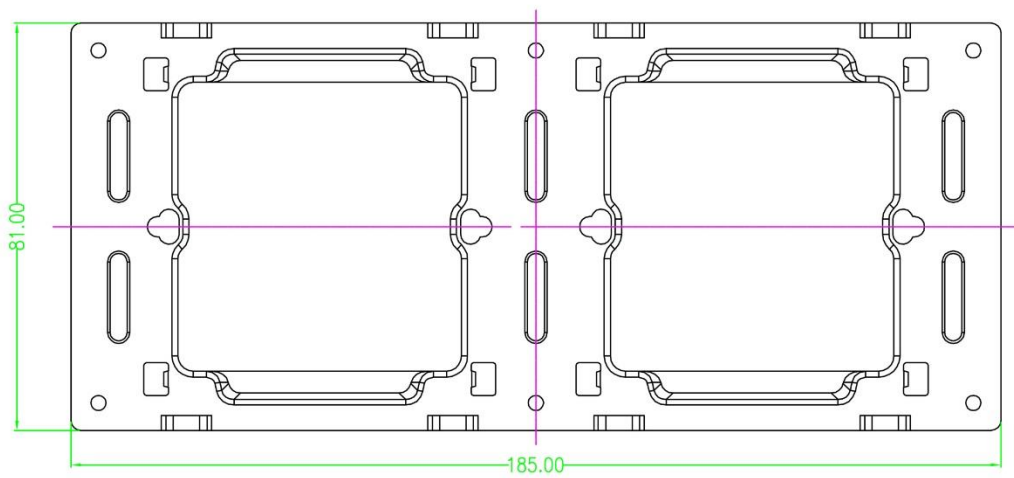
FG1068 Wall Plate Flush Mount Bathroom Phone

Installation Procedure

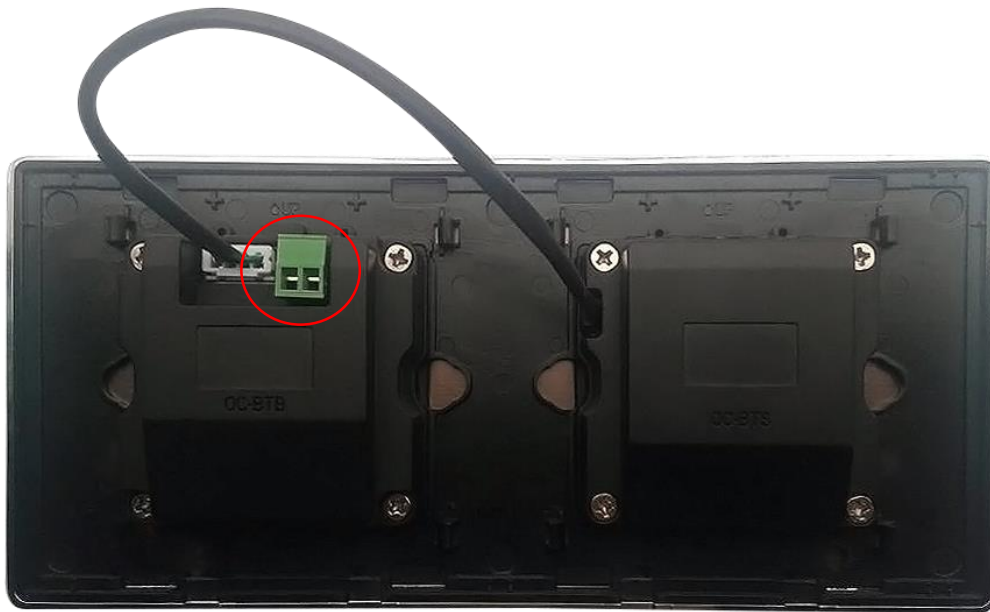
1. Install 2 units of standard 86 electrical base box* as per measurement



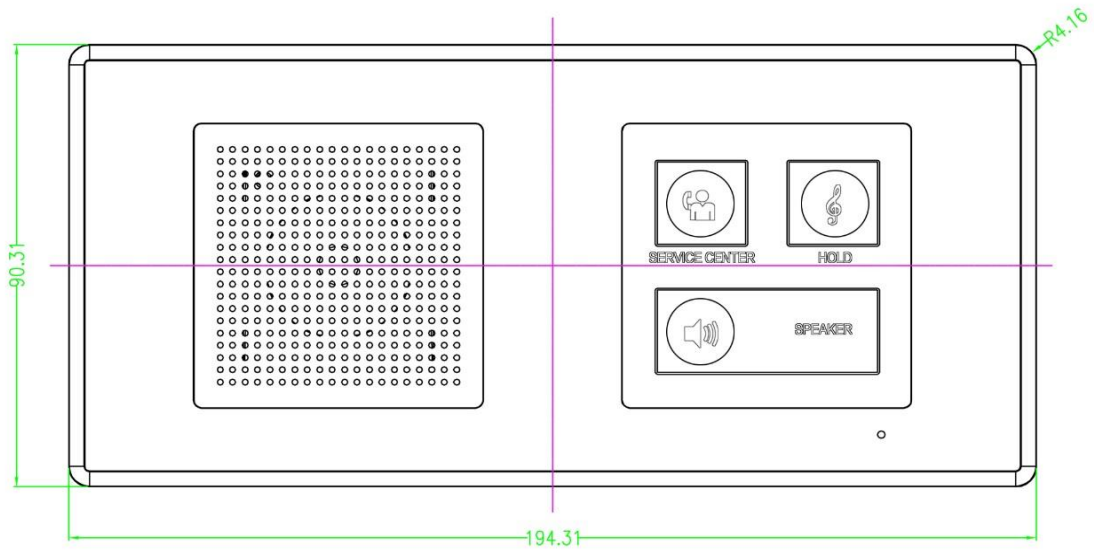
2. Screw in the clip-in plate (provided with the faceplate wall-mount phone)



3. Connect the telephone wires to the back green connector



4. Mount the faceplate wall-mount phone by clipping onto the clip-in plate after fasten the telephone wire to the back connector.





Note: Standard 86 electrical base box is NOT INCLUDED as part of the faceplate wall-mount phone. The 86 base box is a standard electrical item and can be purchased from any electrical accessories or hardware shop in the local market.

Cotell International Limited
10F Lilang Software Park,
31 Bulan Road,
Longgang District, Shenzhen
518000 P. R. China
Tel : +86 755 8885 9898 Fax : +86 755 8885 9899
www.cotell-international.com

Copyright©Cotell 2014. Information contain herein subject to change without notice